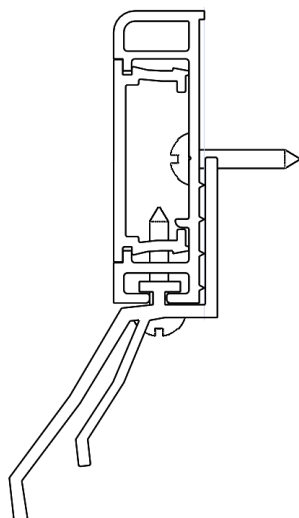
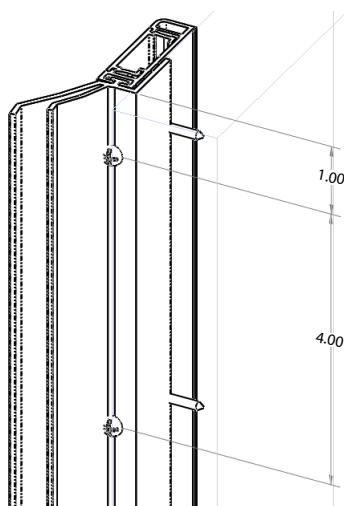
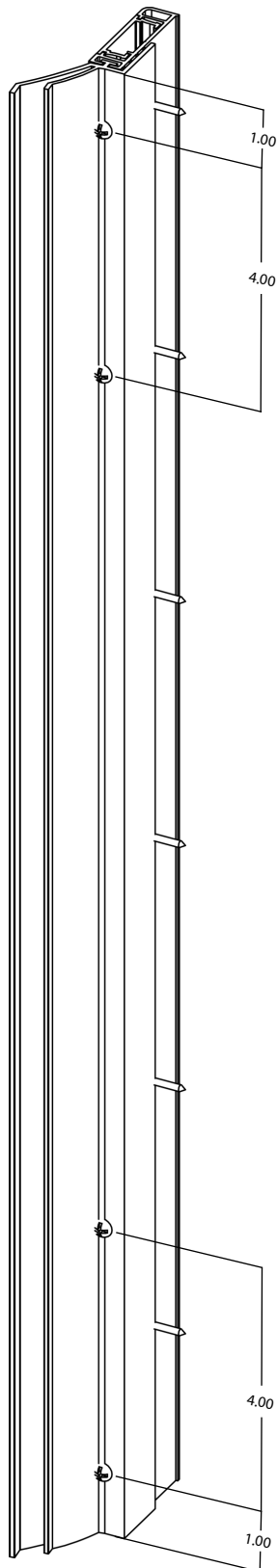




New Improved Cap for 1104 (Patent Pending)

Installation Instructions



- Install the weatherstrip on to the jamb

- Once the weatherstrip is installed on to the jamb, insert the cap. This cap is designed to snap in by pushing it straight into the jamb.

-Next apply 4 screws through the flex as shown in the illustration. (Please use # 8 or 6 self drilling screws)

- Step 1: Fasten 1 screw 1 inch from the top.

- Step 2: Fasten the next screw 4 inches below the first screw.

- Step 3: Fasten the 3rd screw 1 inch from the bottom

- Step 4: Fasten the last screw 4 inches above the bottom screw.

Note: The screws are optional, but recommended. Without the screws, the cap might shrink in specific high heat applications such as dark colored weatherstrips and/or aluminum clad jambs and/or dark colored aluminum jambs. The screws will also prevent the flexible part of the weatherstrip from creeping up or down.

Please DO NOT leave weatherstripping in polybags exposed to the elements.