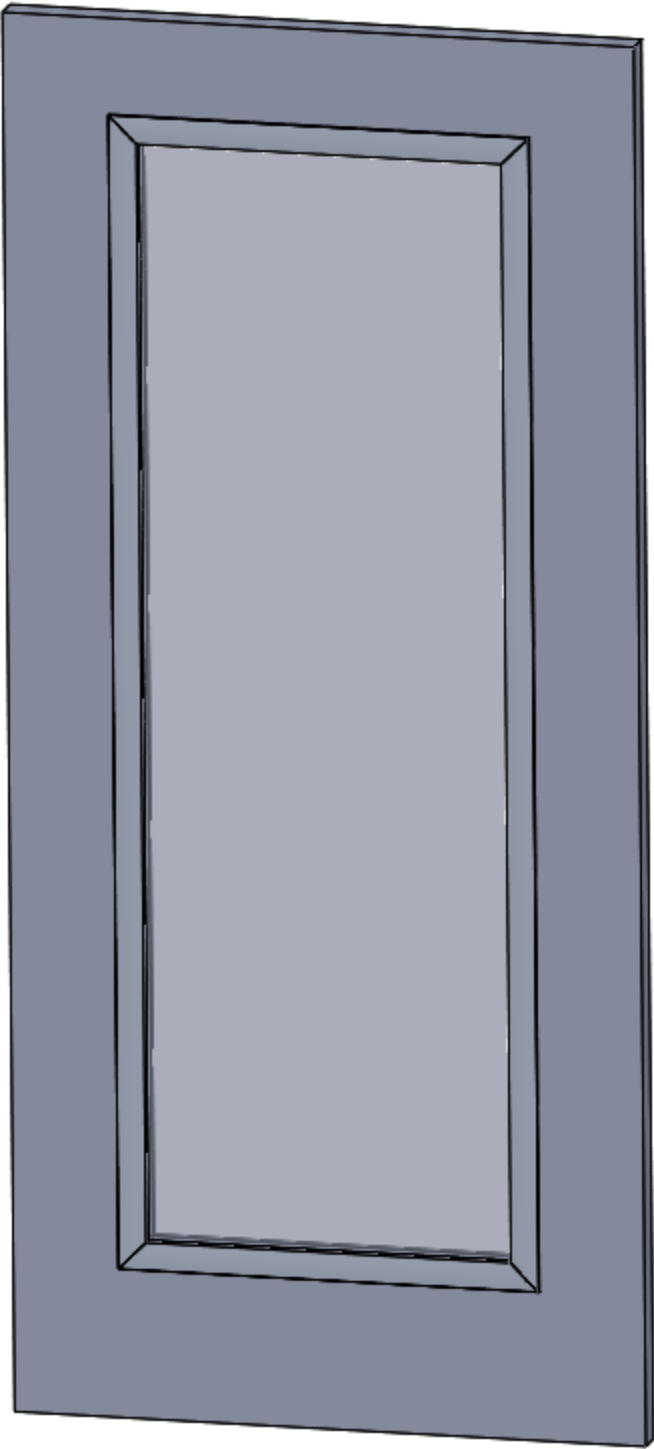
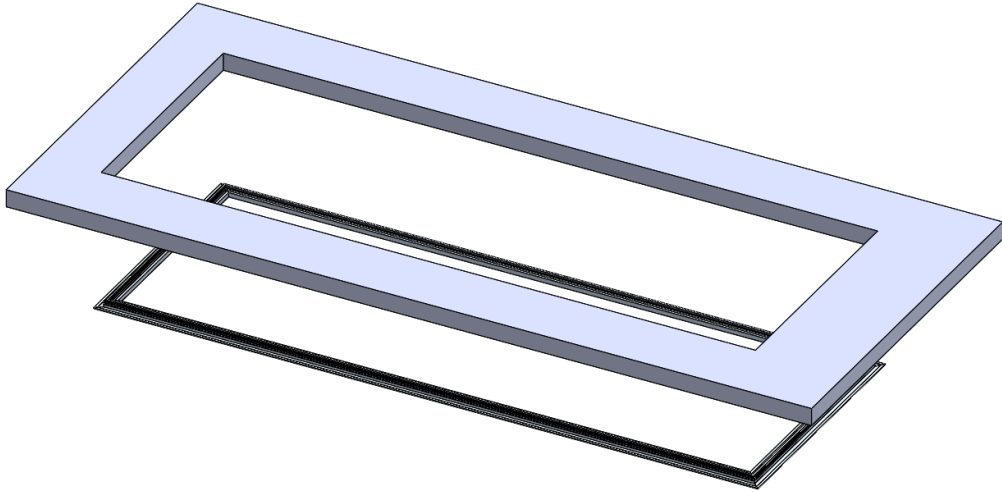


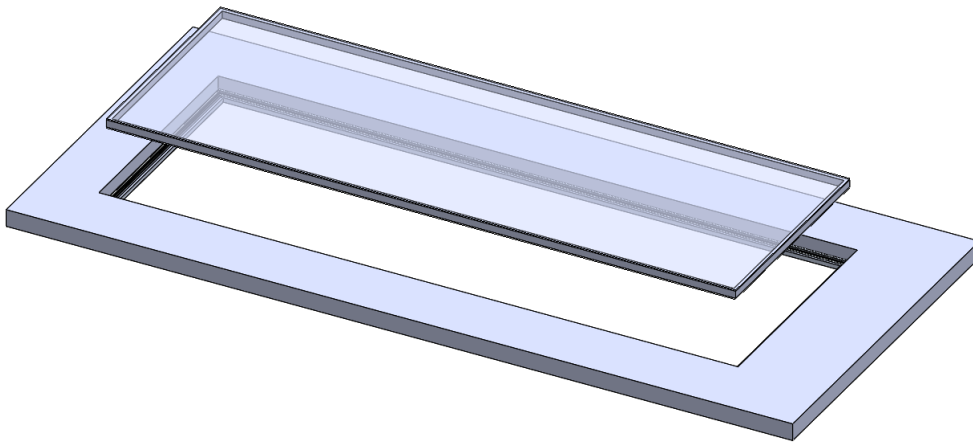
**ELTON Contemporary Slimline**



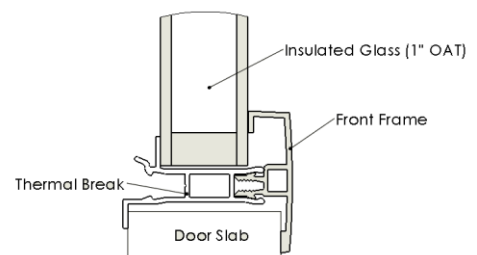
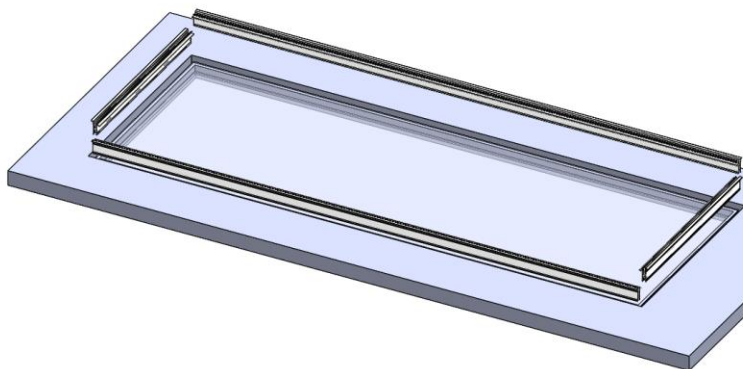
1. Lay down front frame (with tape) on its face and place door with cutout on top.



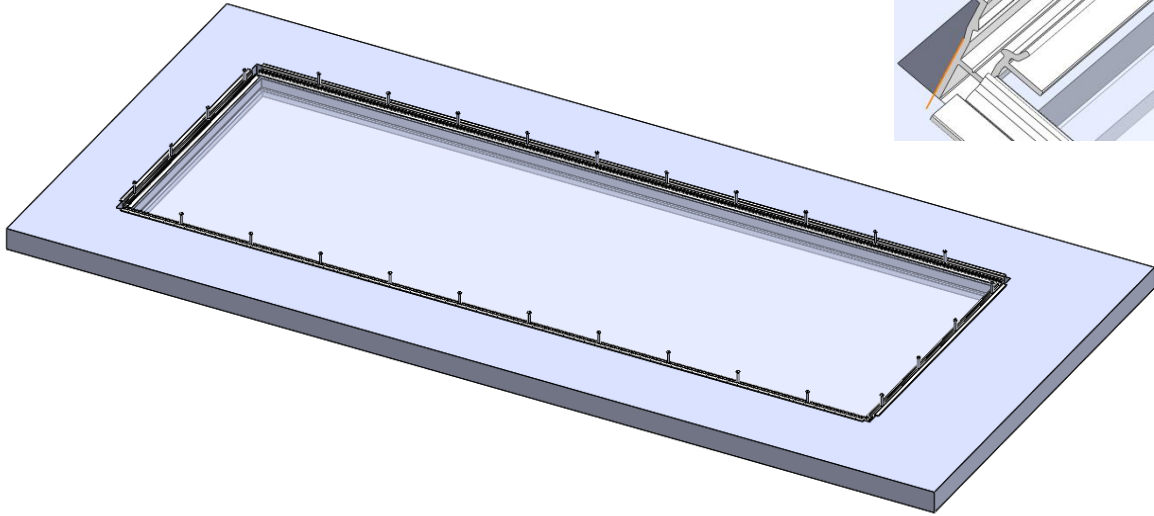
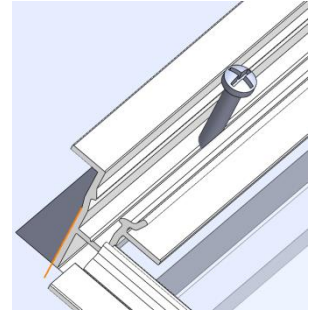
2. Lay down the glass and center it in the glass opening



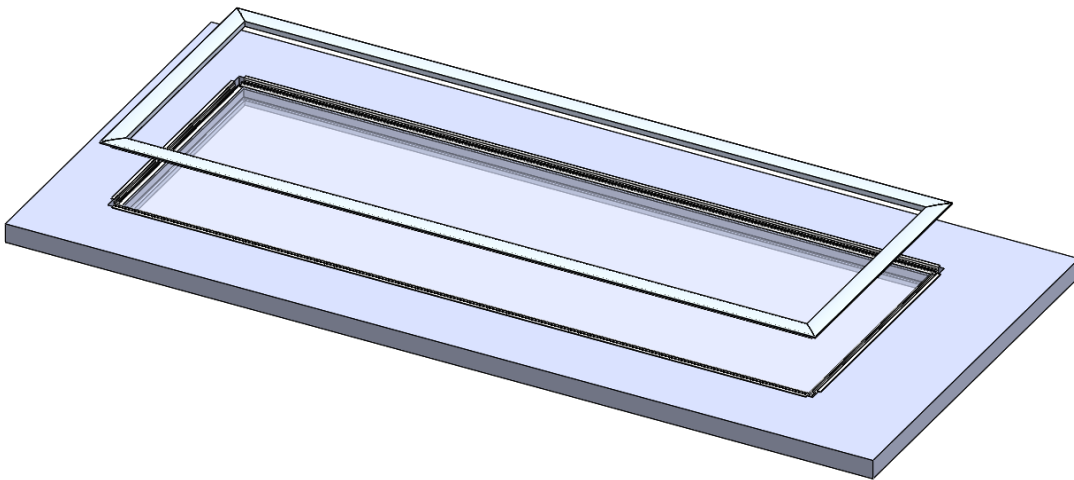
3. Insert all for thermal breaks and insert them into the front frame.



- Secure the thermal breaks with provided screws approximately 6 to 8 inches apart.



- Locate the back frame properly in the thermal break and snap it in.



- Finished product

