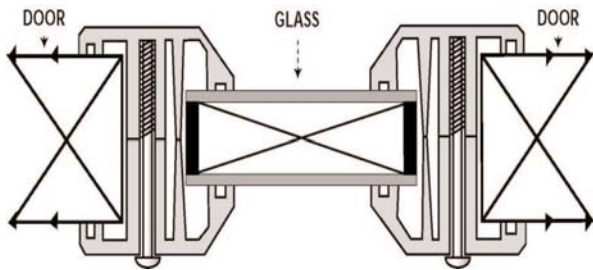
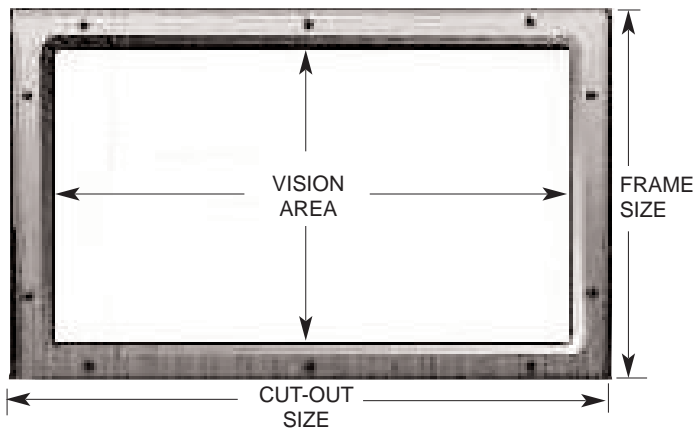


Window Installation — Made Easy

Elton's unique modular system for garage door windows is the most innovative in the industry!



➔ Installation Instructions

Our windows are engineered to screw together for easy installation. For proper fit, the thickness of the door must be measured exactly where the window is installed.

- 1. REMEMBER:** you only have one chance to cut, so measure your cut size carefully.

Be sure the window thickness is the same as the door thickness. Measure the door thickness where the window will be installed to ensure that it is consistent.

- 2.** Tighten the screw snugly, but do not over-tighten, as this will cause breakage of the frame and/or glass, which can occur weeks or even months after the installation. Avoid the use of hammers on Clip windows, as this may cause breakage of the frame and/or clip mechanism.
- 3.** The seal provided should keep moisture out; however, due to inconsistencies of some door skins, always check to ensure there is a proper seal between the window frame and door panel. In some cases, an extra bit of caulking may be necessary.
- 4.** When handling glass, always use protective equipment.
- 5.** If you choose to paint your door, please avoid solvent-based paint, as the fumes can cause deterioration of the window adhesive.

