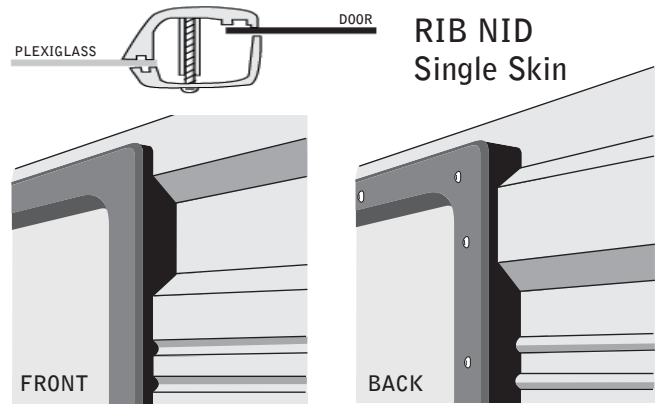
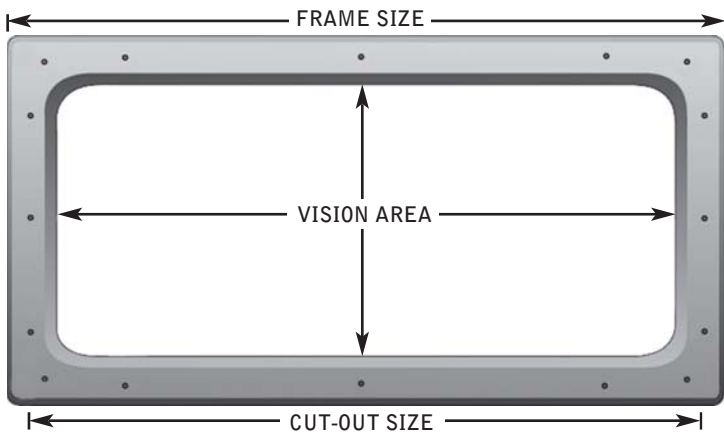


Commercial Windows



FRAMES FOR INSULATED DOORS

Elton's injection molded frames deliver the best in quality and appearance for your commercial door. The unique, screw-together design makes installation simple - and our polypropylene frames will not discolor! Please see the chart below for specifications, colors, glass options and door thicknesses.

FRAMES FOR NON-INSULATED PAN DOORS (NID)

Elton's unique frames will fit most door manufacturers' ribbed panels. As shown above, the tabs on our 1225 frame fit right into the deep ribs of the door. This saves installation time, as there's no need to fill the ribs with caulking. Also shown above, the interior frame for a pan door is designed to go right over the deep ribs perfectly, lining up the screw holes with the exterior frame. **Keep in mind: you can mix and match Elton frames to fit ribbed or flush sections for pan or insulated doors.**

SCREW-TOGETHER WINDOWS

MODEL	OUTSIDE FRAME (tip-to-tip)	CUT-OUT SIZE	VISION AREA	DOOR THICKNESS					
				1/8"	1 3/8"	1 1/2"	1 5/8"	1 3/4"	2"
624	5 3/4" x 24"	4 7/8" x 23 1/8"	3 1/4" x 21 1/2"	•	•	•	•	•	•
824	8" x 24"	7 1/8" x 23 1/8"	5 1/2" x 21 1/2"		•	•	•	•	•
1224	13 1/8" x 25 1/8"	11 7/8" x 23 7/8"	9 5/8" x 21 5/8"	•	•	•	•	•	•
Note: 1225 is a 1224 size window for a ribbed door									
1225	13 1/8" x 25 1/8"	11 7/8" x 23 7/8"	9 5/8" x 21 5/8"	•	•	•	•	•	•
1634	17 1/8" x 35 1/8"	15 7/8" x 33 7/8"	13 5/8" x 31 5/8"		•	•	•	•	•

For non-standard window thickness please call for details.

GLASS OPTIONS

Glass can be ordered as single pane or insulated units

COMMERCIAL FRAMES

Available in the following colors:

Black, White, Cream, Sandstone, Brown, Silver

STOCK GLASS

Typical lead time: 3-7 business days

- Double strength (Annealed/Float) glass - 3mm (1/8")
- Tempered
- Acrylic (Plexiglas)
- Polycarbonate (Lexan)

SPECIAL GLASS

Typical lead time: 10-14 business days

- Polished Georgian Wire
- Laminate
- Low-E
- Argon Filled
- Tinted
- Reflective
- Breather Tubes

CLIP-TOGETHER WINDOWS

MODEL	FRAME SIZE	CUT-OUT SIZE	VISION AREA	DOOR THICKNESS					GLASS OPTIONS	
				1 ³ / ₈	1 ¹ / ₂	1 ⁵ / ₈	1 ³ / ₄	2"	SEALED PLEXI	SEALED LEXAN
1325	26 3/4" x 14 1/2"	25 5/8" x 13 3/8"	23 13/16" x 11 9/16"		•	•			•	•
1328	12 7/8" x 28 1/2"	11 3/4" x 27 3/8"	10" x 25 3/4" Corner Cut 2 3/4" Radius		•	•			•	•

SCREW-TOGETHER WINDOWS

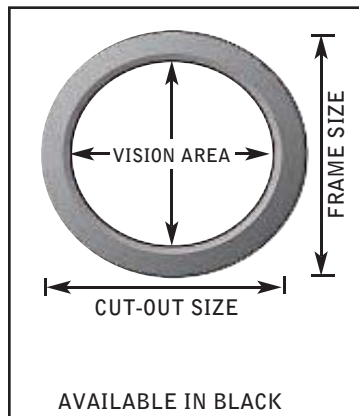
1326	13 5/8" x 26 1/8"	12 5/8" x 25 1/8"	10 7/8" x 23 3/8" Corner Cut 4" Radius	•	•	•	•	•	•	•
0120	12 15/16" Outside Diameter	11 15/16" Diameter	10 3/16" Inside Diameter	•	•	•		•	•	•
0121	12 15/16" Outside Diameter	11 15/16" Diameter	10 3/16" Inside Diameter		•	•			•	



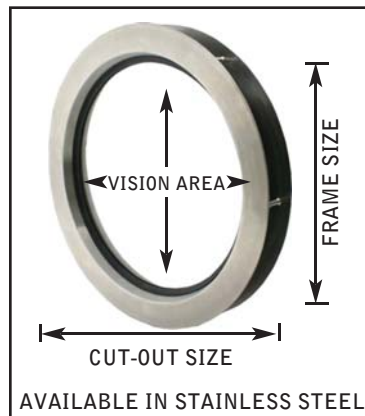
1325



1328



0120



0121



1326

BOX QUANTITIES

MODEL	NID	1 ³ / ₈	1 ¹ / ₂	1 ⁵ / ₈	1 ³ / ₄	1 ⁷ / ₈	2"	F/O	MODEL	NID	1 ³ / ₈	1 ¹ / ₂	1 ⁵ / ₈	1 ³ / ₄	1 ⁷ / ₈	2"	F/O
624	24	18	12	12	12	12	12	18	1325	N/A	N/A	8	8	N/A	N/A	N/A	N/A
824	N/A	12	12	12	10	10	10	16	1326	N/A	8	8	8	6	6	6	N/A
1224	12	8	6	6	6	6	6	8	1328	N/A	N/A	8	8	N/A	N/A	N/A	N/A
1225	10	8	6	6	6	6	6	15	0120	N/A	N/A	16	16	N/A	14	14	N/A
1634	N/A	4	4	4	4	4	4	5	0121	N/A	N/A	16	16	N/A	N/A	N/A	N/A